

151 Series

APPLICATIONS

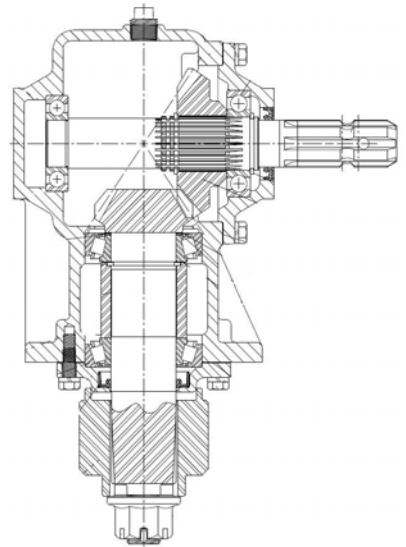
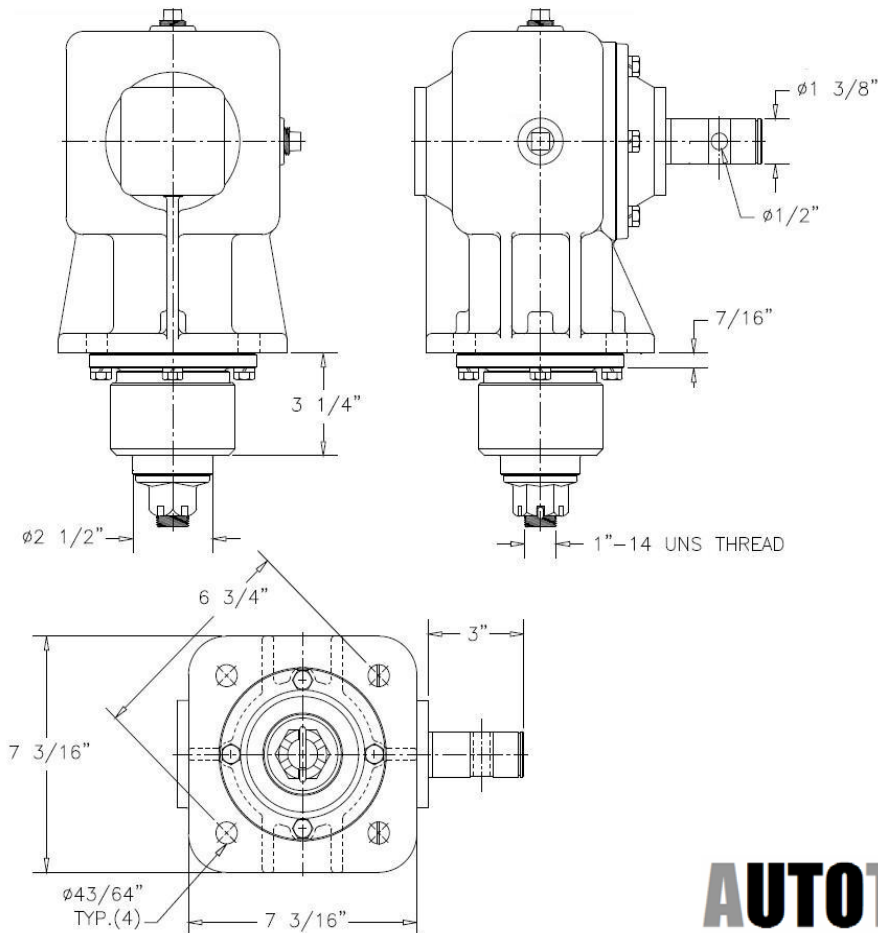
Rotary Cutters

SPECIFICATIONS & FEATURES

Lubricant: EP-90
 Casing: Ductile iron casting
 Input shaft: All
 Output shaft: All
 Gears: Gleason Coniflex cut tooth; case hardened.
 PTO input: 540 RPM and 1000 RPM
 Weight: 58 Lbs, 26.35 Kgs



P/N	Power	Ratio	Input Shaft	Output Shaft
01-433	50 HP	1:1.47SU	1 3/8"-6B Spline	1 9/16" Tapered Spline
01-435	50 HP	1:1.93SU	1 3/8"-6B Spline	1 9/16" Tapered Spline
01-436	50 HP	1:1.93SU	1 3/8"- Shear Pin	1 9/16" Tapered Spline
01-668	50 HP	1:1.47SU	1 3/8"-21 Spline	1 9/16" Tapered Spline



2207 Vista Chaparral
 Carlsbad, CA 92009, USA
 Tel: 001 760 6210018
 Fax: 001 760 4544549
 bill.yuan@autotechgear.com