

161Series Rotary Cutter Gearboxes

APPLICATIONS

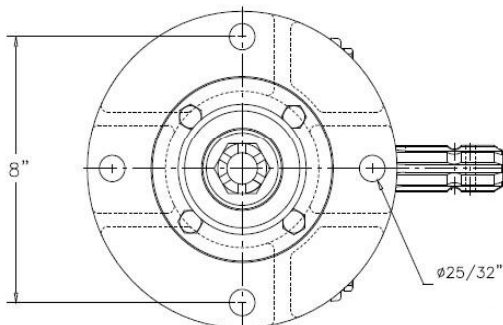
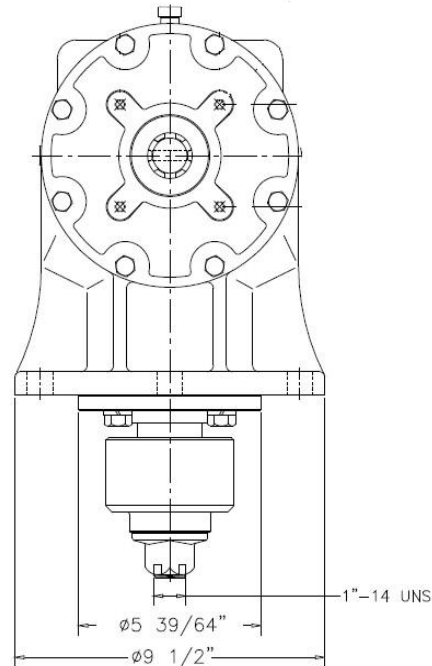
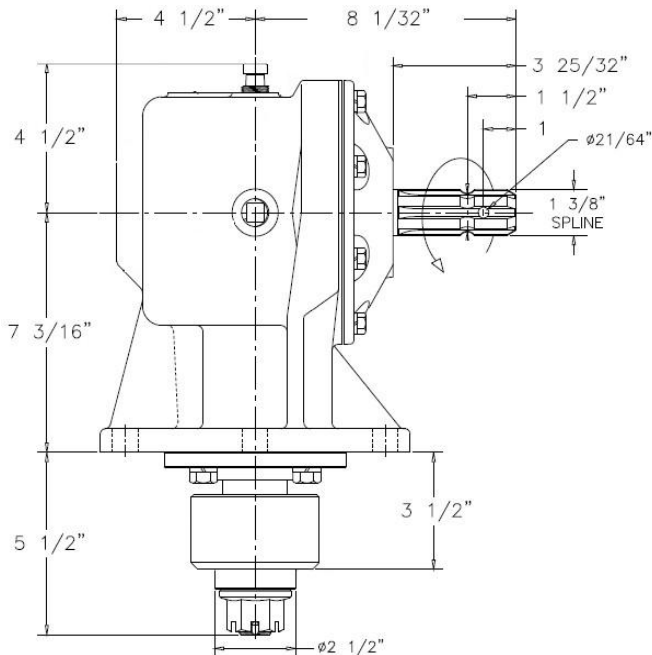
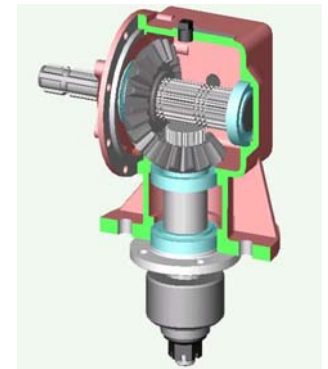
Rotary Cutters

SPECIFICATIONS & FEATURES

Lubricant: EP-90
 Casing: Ductile iron casting
 Input shaft:
 Output shaft:
 Gears: Gleason Coniflex cut tooth; case hardened.
 PTO input: 540 RPM and 1000 RPM
 Weight: 90.57 Lbs, 41.17 Kgs



P/N	Power	Ratio	Input Shaft	Output Shaft
01-114	75 HP	1:1.46	1 3/8"-6B Spline	2" 15 Tooth Spline
01-115	75 HP	1:1.21	1 3/8"-6B Spline	2" 15 Tooth Spline
01-265	75 HP	1:1.93	1 3/8"-6B Spline	2" 15 Tooth Spline
01-250	75 HP	1:1.46	1 3/8"- 1/2 SB	2" 15 Tooth Spline



2207 Vista Chaparral
 Carlsbad, CA 92009, USA
 Tel: 001 760 6210018
 Fax: 001 760 4544549
 bill.yuan@autotechgear.com