



2207 Vista Chaparral
 Carlsbad, CA 92009, USA
 Tel: 001 760 6210018
 Fax: 001 760 4544549
 bill.yuan@autotechgear.com

260 Series Specification Sheet

APPLICATION

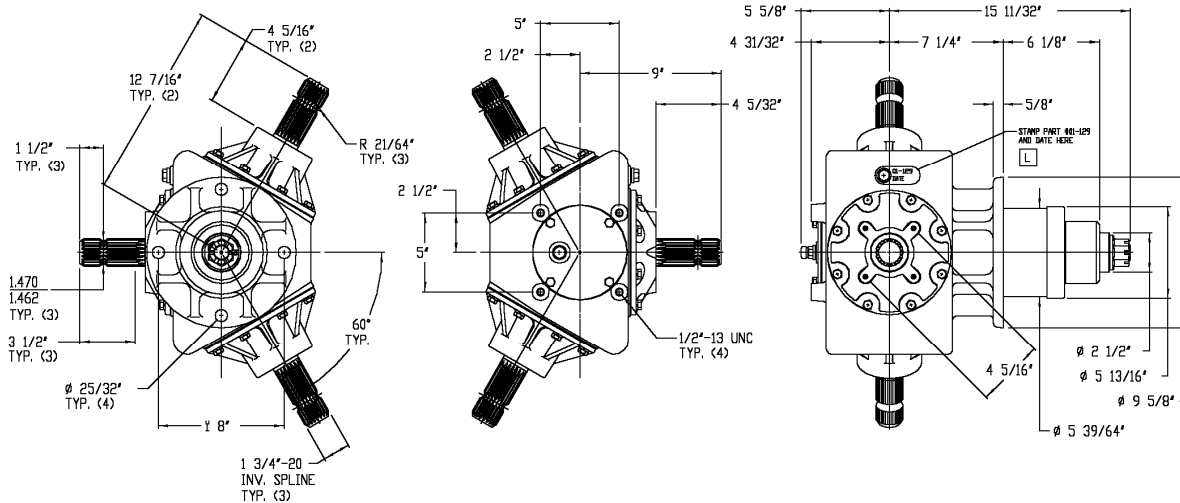
Rotary Cutter (Power Divider)
 Flex wining.

FEATURES

Approx. weight: 172 lbs.
 Lubricant: Oil
 Oil capacity:
 Casing: Ductile Iron
 Gears: Gleason Coniflex cut tooth; case hardened.
 Input shaft: 1 3/4"-20 Spline.
 Output shaft: 1 3/4"-20 Spline and Blade Hub.
 PTO input speed: 540 rpm.



ITG #	Ratio	HP	Input speed
01-129	1:1.46	100	540 rpm



Above information is for reference purposes only. Autotech reserves the right to change design and specifications at any time and without notice.