

2207 VISTA CHAPARRAL
 Carlsbad, CA 92009 U.S.A.
 Tel. (760) 621-0018
 Fax (760) 454-4549
 sales@autotechgear.com
 www.autotechgear.com

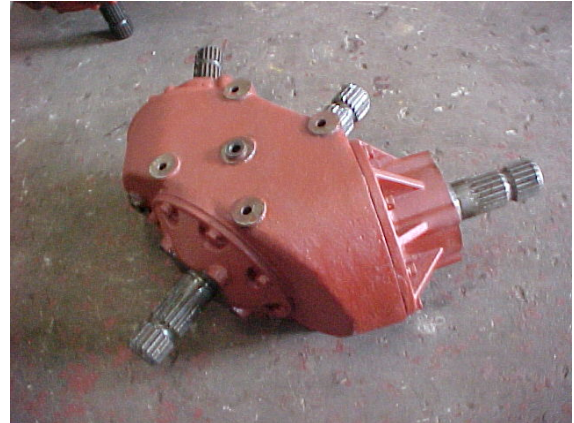
AUTOTECH 340 Series Specification Sheet

APPLICATION

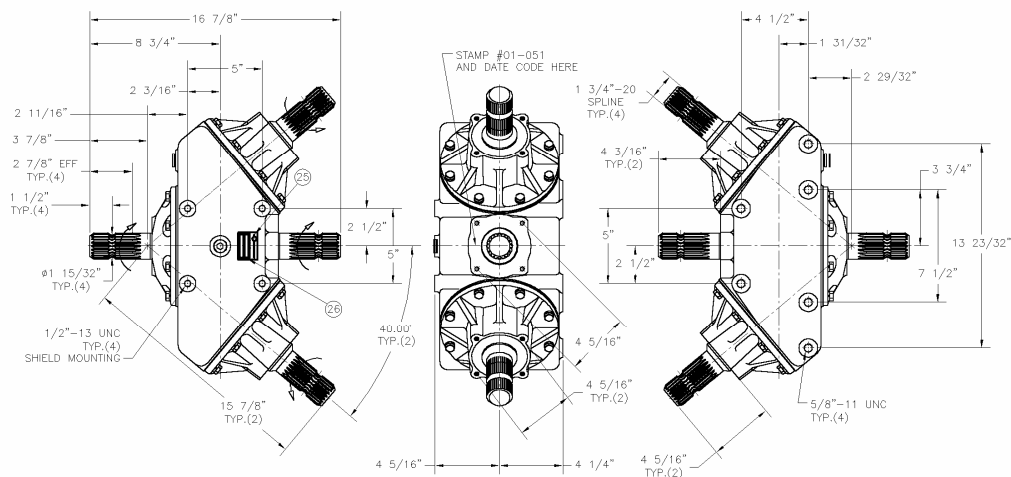
Rotary cutter (Power Divider)
 Flex wining cutters

FEATURES

Approx. weight: 140 lbs.
 Lubricant: Oil;
 Oil capacity:
 Casing: Ductile Iron
 Gears: Gleason Coniflex cut tooth; case hardened.
 Input shaft: 1 3/4"-20 Spline or 1 3/8"-6 B.
 Output shaft: 1 3/4"-20 Spline or 1 3/8"-6 B.
 PTO input speed: 540 rpm.



Part #	Ratio	HP	I/O Style	Input speed
01-051	1.3:1	100	1 3/4"-20	540 rpm
01-053	1:1.15	100	1 3/4"-20	540 rpm
01-054	1:1.15	100	1 3/4"-20 in 1 3/8"-6 out	540 rpm
01-066	1.3:1	40	1 3/4"-20	540 rpm
01-067	1:1.15	40	1 3/4"-20	540 rpm
01-074	1:1.15	40	1 3/4"-20 in 1 3/8"-6 out	540 rpm
01-075	1.3:1	40	1 3/4"-20 in 1 3/8"-6 out	540 rpm
01-122	1.3:1	100	1 3/4"-20 in 1 3/8"-6 out	540 rpm
01-214	1:1	100	1 3/4"-20 in 1 3/8"-6 out	540 rpm
01-262	1.3:1	200	1 3/4"-20	540 rpm
01-263	1:1.15	200	1 3/4"-20	540 rpm
01-302	1:1.21	200	1 3/4"-20	540 rpm
01-303	1.21:1	200	1 3/4"-20	540 rpm
01-338	1:1.3	200	1 3/4"-20	540 rpm



Above information is for reference purposes only. AUTOTECH reserves the right to change design and specifications at any time and without notice.