

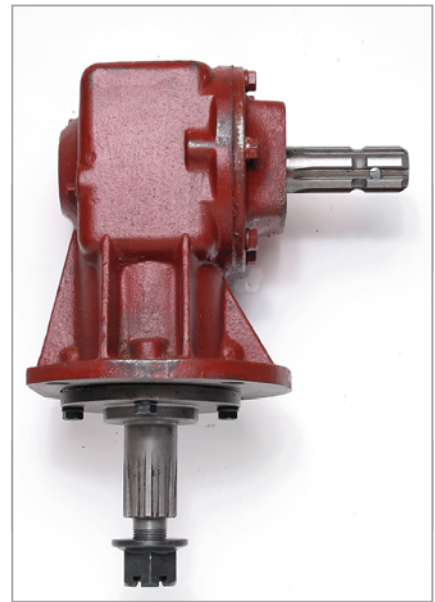
40 Series Rotary Cutter Gearboxes

APPLICATIONS

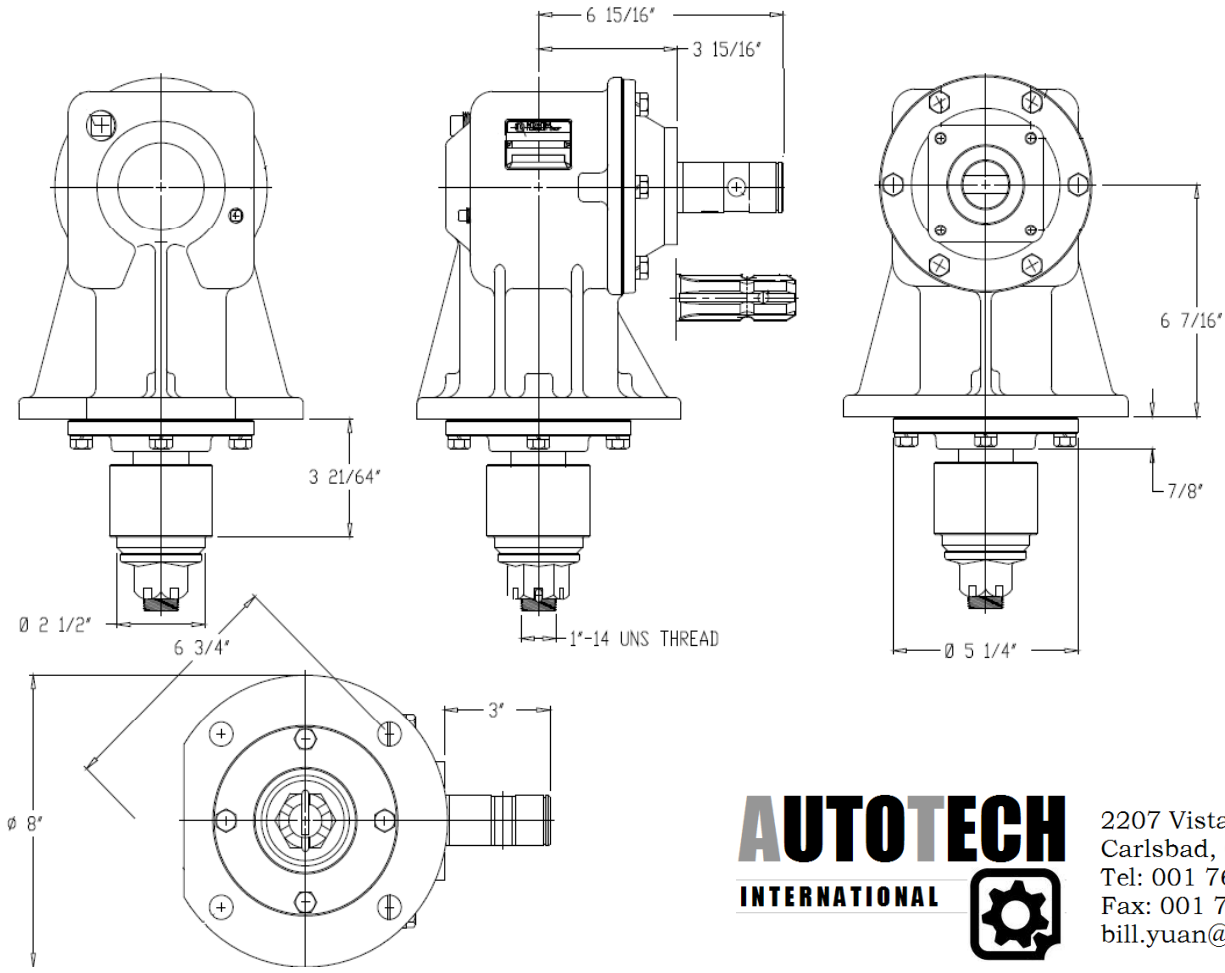
Rotary Cutters, Slashers

SPECIFICATIONS & FEATURES

Lubricant: EP-90
 Casing: Ductile iron casting
 Input shaft: 1 3/8"-6Z Spline or Shear Pin
 Output shaft: Tapered Spline
 Gears: Gleason Coniflex cut tooth; case hardened.
 PTO input: 540 RPM and 1000 RPM
 Weight: 52 Lbs, 24 Kgs



P/N	Power	Ratio	Input Shaft	Output Shaft
01-003	40 HP	1:1.93	1 3/8"- Shear Pin	1 9/16" Tapered Spline
01-004	40 HP	1:1.93	1 3/8"-6B Spline	1 9/16" Tapered Spline
01-008	40 HP	1:1.47	1 3/8"- Shear Pin	1 9/16" Tapered Spline
01-009	40 HP	1:1.47	1 3/8"-6B Spline	1 9/16" Tapered Spline
01-194	40 HP	1:2.50	1 3/8"-6B Spline	1 9/16" Tapered Spline
01-274	40 HP	1:2.30	1 3/8"-6B Spline	1 9/16" Tapered Spline



2207 Vista Chaparral
 Carlsbad, CA 92009, USA
 Tel: 001 760 6210018
 Fax: 001 760 4544549
 bill.yuan@autotechgear.com

Above information is for reference purposes only. Autotech reserves the right to change design and specifications.