

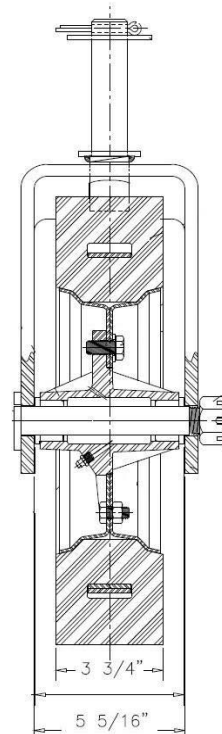
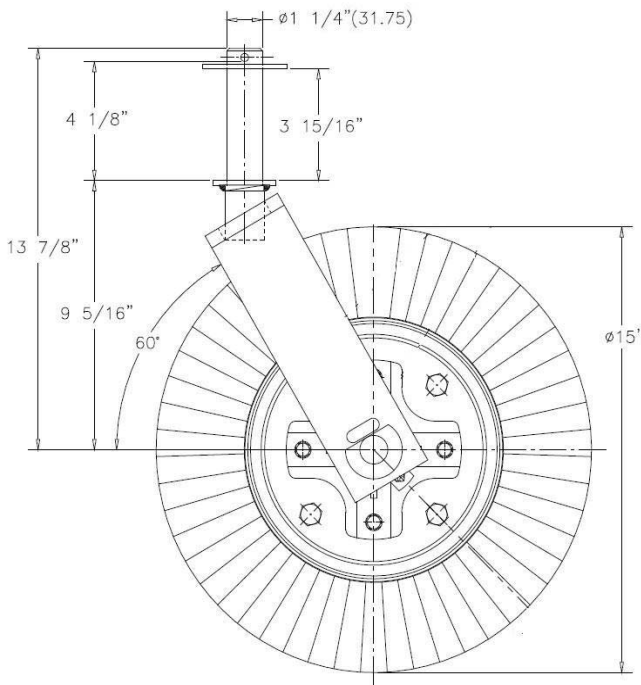
Laminated Tail Wheels



2207 Vista Chaparral
 Carlsbad, CA 92009, USA
 Tel: 001 760 6210018
 Fax: 001 760 4544549
 bill.yuan@autotechgear.com

Laminated tires, wheel hub and forks assemblies for rotary cutters

- Newly improved the finishing of the tires and rim.
- Casting wheel hubs
- Choices of bushing and tapered bearings
- Available from warehouse in Kansas City or direct loads



Model									
16-097A									
16-085A									
16-138A									
16-078A									
16-092A									