

# Post Hole Digger Specification Sheet

## APPLICATION

Post Hole Digger

## FEATURES

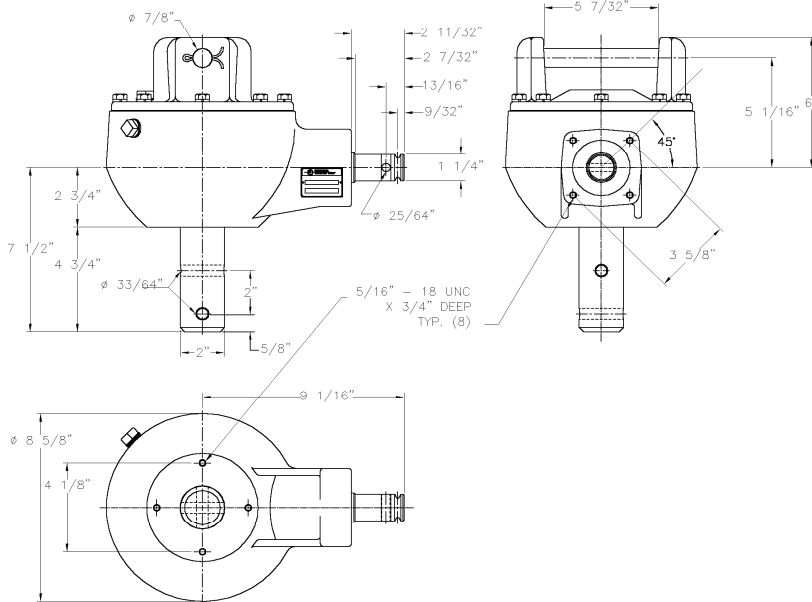
Lubricant: Grease  
 Casing: Ductile iron casting  
 Gears: Gleason Coniflex cut tooth; case hardened.  
 Input shaft: 1 1/4" shaft.  
 Output shaft: 2" Shaft  
 PTO input speed: 540 RPM



P/N	Ratio	I/O Style	Power	WT(Lb)	Oil Cap
01-081	3:1	1 1/4" shaft	20 HP	14.3	25 oz.
01-082	3:1	1 1/4" shaft	30 HP	60.0	40 oz.
01-083	3.5:1	1 1/4" shaft	40 HP	76.0	58 oz.
01-084	4:1	1 1/4" shaft	50 HP	92.5	140 oz.



01-081



01-082



01-083



01-084



2207 Vista Chaparral  
 Carlsbad, CA 92009, USA  
 Tel: 001 760 6210018  
 Fax: 001 760 4544549  
 bill.yuan@autotechgear.com