

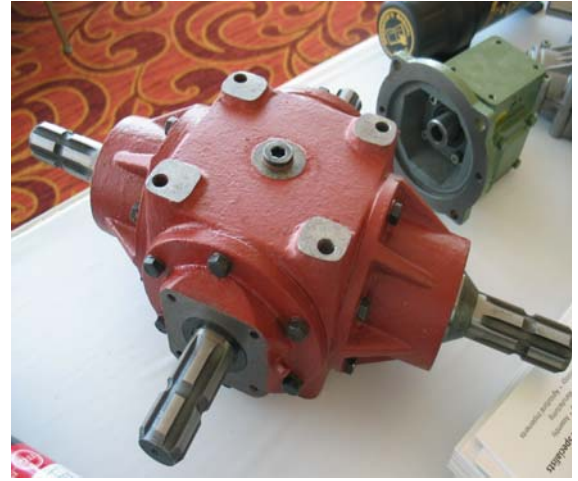
X40 Series Rotary Cutter Gearboxes

APPLICATIONS

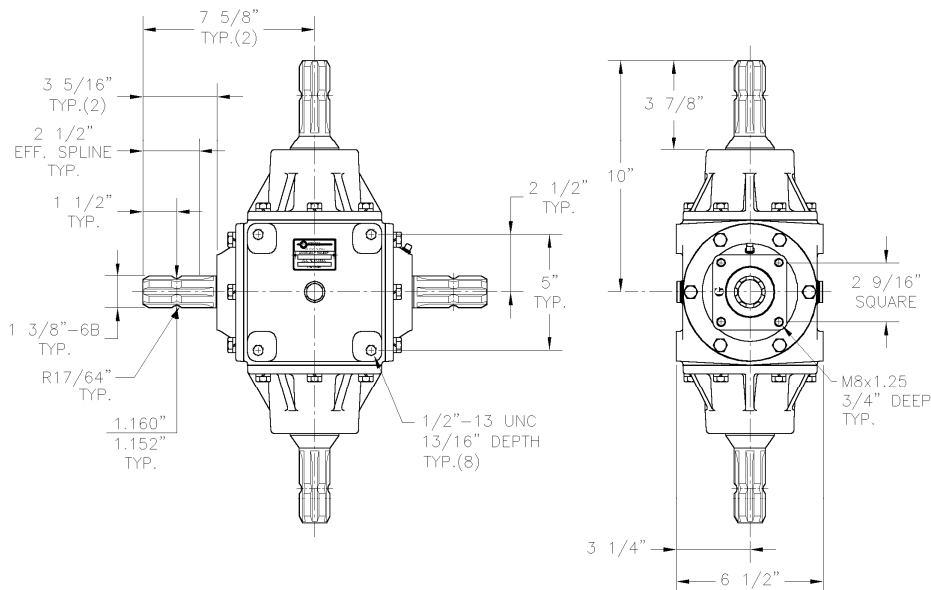
Rotary Cutters
Flex Wing Cutters

SPECIFICATIONS & FEATURES

Lubricant: EP-90
Casing: Ductile iron casting
Input shaft:
Output shaft:
Gears: Gleason Coniflex cut tooth; case hardened.
PTO input: 540 RPM and 1000 RPM
Weight: 68 Lbs



P/N	Power	Ratio	Input Shaft	Output Shaft
01-121	40HP	1:1	1 3/8"-6B Spline	



2207 Vista Chaparral
Carlsbad, CA 92009, USA
Tel: 001 760 6210018
Fax: 001 760 4544549
bill.yuan@autotechgear.com