

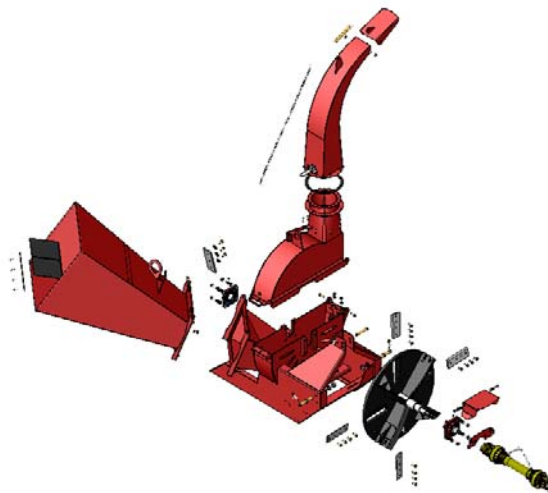
WC Series Wood Chippers



2207 Vista Chaparral
 Carlsbad, CA 92009, USA
 Tel: 001 760 6210018
 Fax: 001 760 4544549
 bill.yuan@autotechgear.com

Standard features include:

- Series 5 PTO drive shaft
- 4 Reversible heat treated knives
- Large 27 1/2" x 24" Input hopper
- 3 point Hitch, Cat. 1
- Powder coating finishing



Model	Descriptions	No. of Blades	Max Chipper Radius	Weight (LBS)	Horse Power Required	PTO Shaft	Flywheel Diameter	QTY/FCL
WC4	WC4 Wood Chipper	1 Stable Blade 4 Dual Moving	4" (100 mm)	181	18-45 HP	Series #5-37"L	25 1/2"	52 ea/40'GP (disassembled)
WC6	WC6 Wood Chipper	1 Stable Blade 4 Dual Moving	6" (150 mm)	325	18-45 HP	Series #5-37"L	30"	32 ea/40'GP (disassembled)
WC6R	WC6R Wood Chipper w/ Hydraulic	1 Stable Blade 4 Dual Moving	6" (150 mm)	330	18-45 HP	Series #5-37"L	30"	32 ea/40'GP (disassembled)