



应用

LSQ-S4系列广泛应用于各种工业用途，主要用于建筑设备、森林设备、农业机械、液压机具、钢铁设备及其它所需的液压应用。

Applications

The LSQ-S4 Series brings to the industry a proven design for use on construction equipment, forestry Equipment, agricultural machinery, oil tools, steel mill machinery, and other demanding hydraulic applications.

技术规范

规格（英寸）	1/4	3/8	1/2	3/4	1
额定压力（PSI）	5000	4000	4000	3000	3000
额定流量（GPM）	3	6	12	28	50
温度范围（标准密封圈）	-20℃至+120℃				
标准密封圈材料为丁腈橡胶 NBR					

特征

- 接头断开时，阀芯自动闭合，防止泄漏。
- 接头连接后，阀芯自动开启，在额定工作范围内，始终保持流体的畅通。
- 阀采用坚硬的铬合金钢球。钢球被弹簧加载以使牢固的固定在阀座处。
- 阀提供钢球与内锥面之间的金属对金属密封。
- 关键部件经过感应淬火，所以耐用性好。
- 可靠的球锁机构将相匹配的两半部分结合在一起。
- 母插座和公插头采用实心的棒料精密制造。
- 本接头符合ISO5675标准。
- 并与下列产品互换：美国派克（PARKER）4000系列、意大利快事达（FASTER）NV/NS系列。

Features

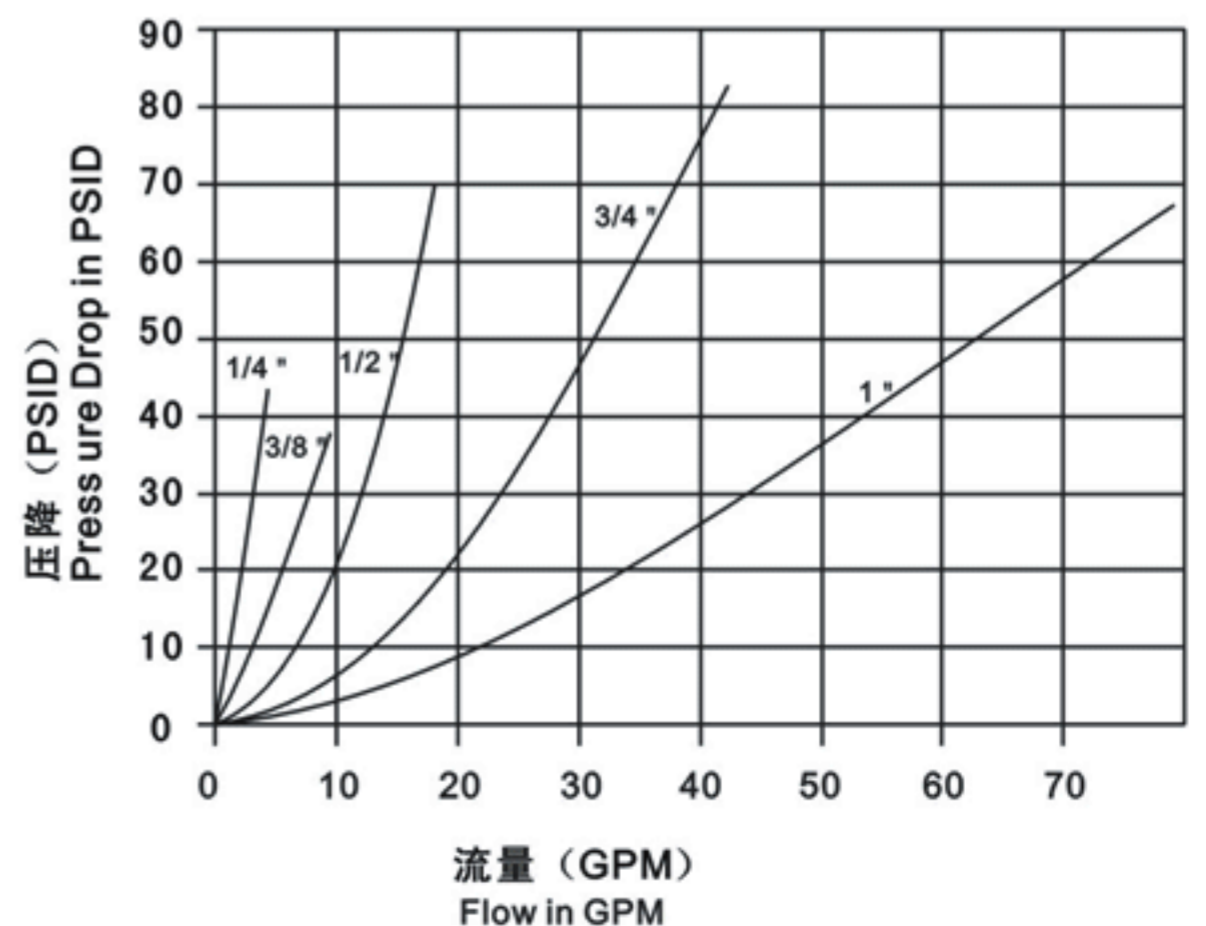
- Poppet valves available to prevent uncoupled leakage.
- Ball valves available for rugged dependability in heavy-duty hydraulic applications within rated working pressure.
- Hard,chrome alloy balls are used for valving , It be loaded on the valve seat by the springs.
- The valve provides a metal-to-metal seal between theball and coined seat.
- Critical parts are hardened for durability.
- Dependable ball-locking mechanism holds the mating halves together.
- Socket and plug are precision machined from solid bar stock.
- LSQ-S4 series conforms to the standard of ISO5675.
- Compatible with PARKER 4000 Series and FASTER NV/NS Series .

Specifications

Body Size(in)	1/4	3/8	1/2	3/4	1
Rated Pressure(PSI)	5000	4000	4000	3000	3000
Rated Flow(GPM)	3	6	12	28	50
Temperature Range(std seals)	-20℃至+120℃				
Standard seal material is NBR					

Performance (性能)

LSQ-S4 系列（1/4"，3/8"，1/2"，3/4"，1"）
 LSQ-S4 Series（1/4"，3/8"，1/2"，3/4"，1"）
 测试流体：油-200SUS（Test Fluid: Oil-200SUS）



1 GPM=3.78 L/Min

1 PSID=0.0069 MPa

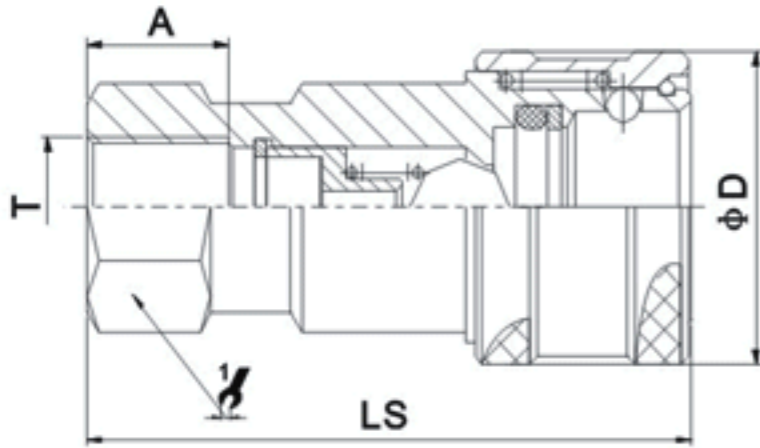
LSQ-S4 钢球式液压快速接头 (碳钢)

— / — 两端开闭式

LSQ-S4 BALL VALVES TYPE HYDRAULIC QUICK COUPLING(STEEL)

Socket with valve Plug with valve

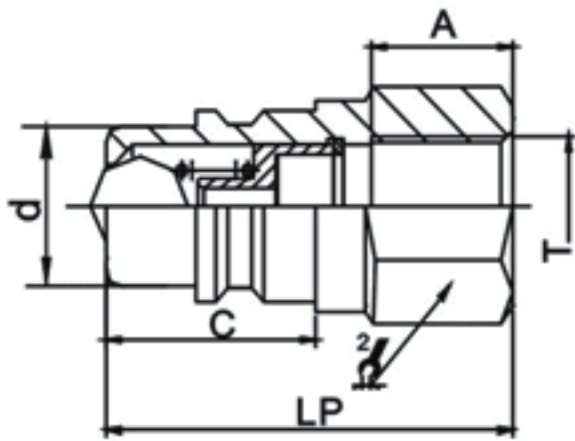
母插座 (Socket)



ISO	PART NO.	LS	φD	1/2	A	T
6.3	LSQ-S4-02SF	53.5	27.6	19	12.5	G1/4 NPT1/4
10	LSQ-S4-03SF	63	34	24	13	G3/8 NPT3/8
12.5	LSQ-S4-04SF	66.3	38.6	27	16	G1/2 NPT1/2
◆	20 LSQ-S4-06SF	82.5	48.2	34	19	G3/4 NPT3/4
◆	20 LSQ-S4-06SF(E)	83.5	47.5	35	18	G3/4 NPT3/4
25	LSQ-S4-08SF	96.5	56	41	21	G 1 NPT1

◆ Note: LSQ-S4-06SF与快事达(Faster)互换, Faster interchange
 LSQ-S4-06SF(E)与派克(Parker)互换, Parker interchange

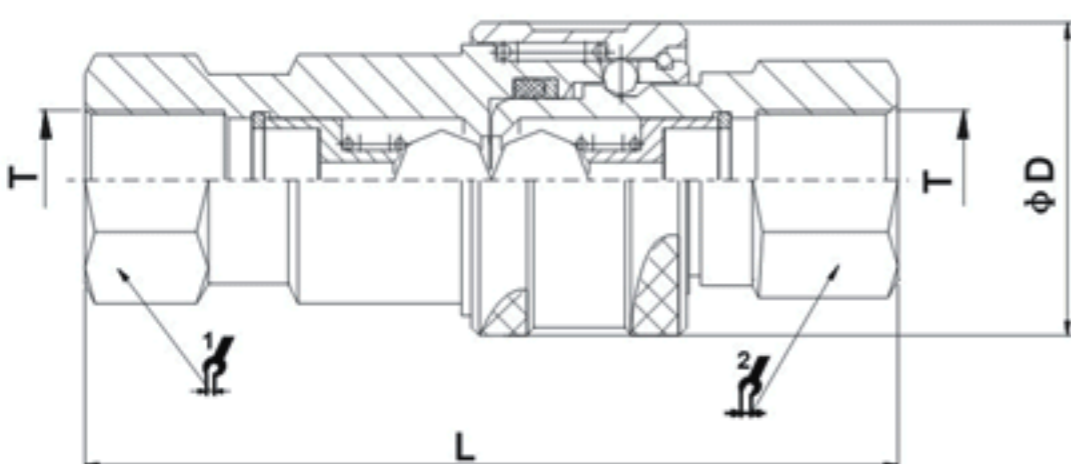
公插头 (Plug)



ISO	PART NO.	LP	d	C	2/2	A	T
6.3	LSQ-S4-02PF	36	14.2	18.5	19	12.5	G1/4 NPT1/4
10	LSQ-S4-03PF	40	19	22	24	13	G3/8 NPT3/8
12.5	LSQ-S4-04PF	43.5	20.5	27	27	16	G1/2 NPT1/2
◆	20 LSQ-S4-06PF	53.5	28	32	34	19	G3/4 NPT3/4
◆	20 LSQ-S4-06PF(E)	51	26.9	28.5	33.3	18	G3/4 NPT3/4
25	LSQ-S4-08PF	63	31.3	38	41	21	G1 NPT1

◆ Note: LSQ-S4-06PF与快事达(Faster)互换, Faster interchange
 LSQ-S4-06PF(E)与派克(Parker)互换, Parker interchange

连接器装配/Coupling Fitting



ISO	PART NO.	L	φD	1/2	2/2	T
6.3	LSQ-S4-02	72.2	27.6	19	19	G1/4 NPT1/4
10	LSQ-S4-03	82.6	34	24	24	G3/8 NPT3/8
12.5	LSQ-S4-04	87.8	38.6	27	27	G1/2 NPT1/2
◆	20 LSQ-S4-06	107.8	48.2	34	34	G3/4 NPT3/4
◆	20 LSQ-S4-06(E)	102	47.5	35	33.5	G3/4 NPT3/4
25	LSQ-S4-08	126.8	56.2	41	41	G 1 NPT1

◆ Note: LSQ-S4-06与快事达(Faster)互换, Faster interchange
 LSQ-S4-06(E)与派克(Parker)互换, Parker interchange